

## Stretch Fabric Systems



Fast setup

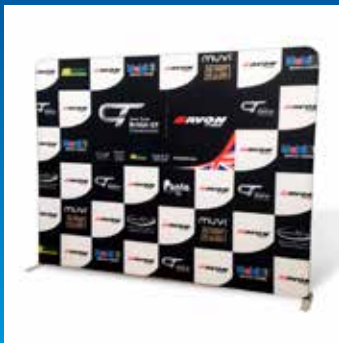


No tools required



Fast UK delivery

Our freestanding stretch fabric display stands are an ideal portable branding solution, providing a stunning visual impact for any modern exhibition and display or commercial and retail backdrop. With a range of stylish shapes available, these display stands use an interchangeable, digitally printed fabric stretched over a strong yet lightweight aluminium frame.



They offer real value for money for re-use, are quick to assemble and easily stored and transported with a carry bag supplied as standard. We recommend using solid colours rather than white for these stands to maximise your branding.

### Why we recommend XG's Stretch Fabric Systems

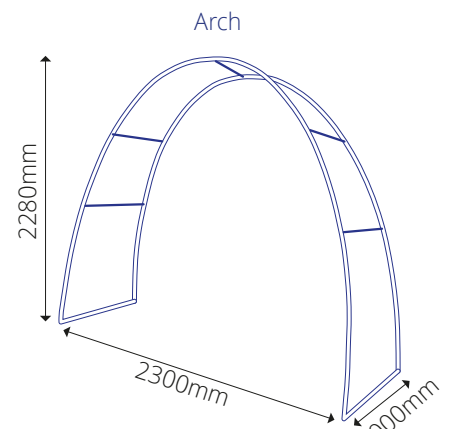
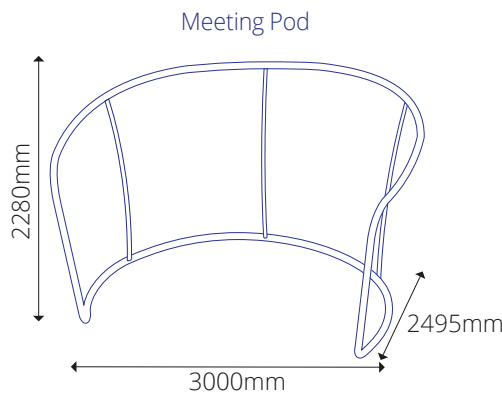
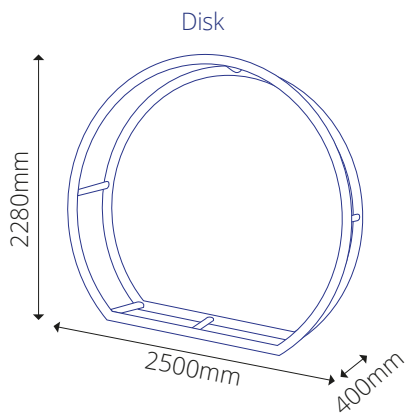
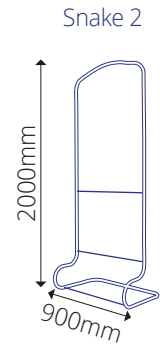
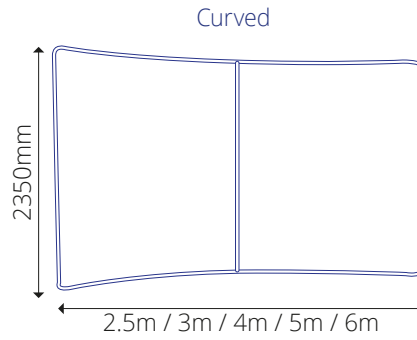
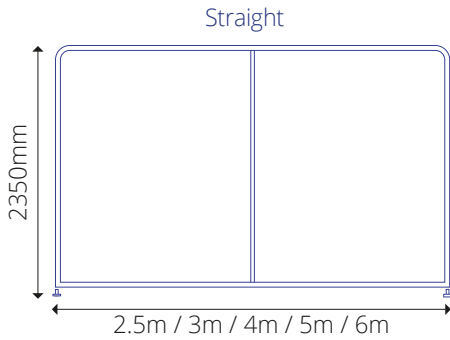
- Interchangeable fabric graphics, removable to wash or replace
- Foldable graphics for easy storage
- Replacement graphics available
- Real value for money and low cost of ownership for rebranding
- Lightweight for easy transportation
- High quality look and feel
- No tools required
- Fast UK delivery

# Choose your Stretch Fabric Systems in 4 easy steps:

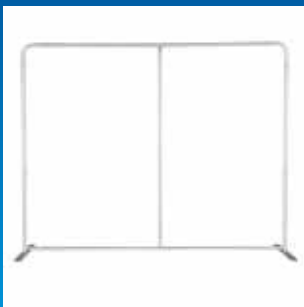
On the next pages you will find a guide to ordering your Stretch Fabric Systems which we hope helps you decide what you need.

Please call us on **01280 707180** or if you have any questions or to discuss your requirements.

## Step 1 - Shape & Size:



## Step 2 - Features:



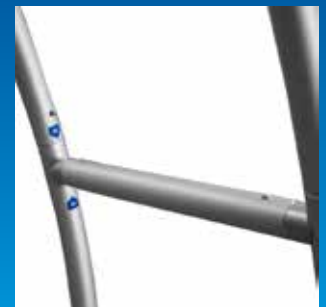
### Portable Tube System

Constructed of lightweight but strong aluminium tube, quick to assemble and easily stored and transported.



### Stretched Fabric

These displays use a digitally printed fabric stretched over an aluminium tube finished with a zip to hold in place.



### No Tools Required

A simple push-fit assembly allows for the display system to be quick to set up without the need for any tools.

## Step 3 - creating your artwork

---

You have 2 options when creating artwork

### 1. Design your own or use your preferred agency to design it for you.

We have templates for many of our products which can be found on the 'TEMPLATES' tab section of the relevant product page. We recommend using file transfer sites to upload artwork due to the speed and ease. One of these that we recommend is **WeTransfer**

### 2. Let XG assist you with your artwork.

If you require assistance in preparing your artwork, we can help lay out your supplied elements.

We will require you to complete our artwork brief which can be found on the 'ARTWORK' tab section of the relevant product page. This will then need to be sent to us via email to [sales@xg-group.co.uk](mailto:sales@xg-group.co.uk) you can send a photo or a scanned version, we would also require any logos in vector format (ai,eps), fonts and relevant copy needed to complete the layout.

This process would require your approval and final sign off before production. Please note, we do charge for artwork and we will discuss this during the quote process.

General guides for artwork are as follows:

- Production ready high resolution PDF
- Supply your artwork at full size or for larger prints supply your PDF at half or quarter size.
- Supply your PDF file with Image Bleed
- Resolution to be a maximum 150 dpi at full size
- Embed all text and fonts
- Transfer your files Via We Transfer
- Should you require more complex graphic design, please call us on **01280 707180** or email **[sales@xg-group.co.uk](mailto:sales@xg-group.co.uk)** to discuss your requirement.

## Step 4 - how to order

---

Now you are ready to place your order:

You can contact us by emailing **[sales@xg-group.co.uk](mailto:sales@xg-group.co.uk)** with your requirements along with your full invoice address and delivery address (if different). We will then send you back a formal quotation prior to your order confirmation.

For non account customers we will require full payment before your order can be processed.

Payment can be made by card over the phone, by bank transfer or cheque (please allow 4/5 days for cheques to clear).

Delivery is based on a standard 5-7 working day production lead time. These may vary depending on quantities and are subject to availability. If an express turnaround is required, we will always endeavour to help.

Please call us on **01280 707 180** if you need help or advice on our products or processes.

# Price List

Please call us on **01280 707 180** and we will be glad to quote for your specific requirements.

Shape	Size	1+	5+
SFS Straight	2.5m	£397.00	POA
	3m	£420.00	POA
	4m	£579.00	POA
	5m	£708.00	POA
	6m	£838.00	POA
SFS Curved	2.5m	£409.00	POA
	3m	£456.00	POA
	4m	£591.00	POA
	5m	£691.00	POA
	6m	£801.00	POA
SFS Snake 2	900mm	£234.00	POA
SFS Disk	2.5m	£541.00	POA
SFS Meeting Pod	3m	£878.00	POA
SFS Arch	2.3m	£498.00	POA

March 2020

# Packaging Information

Shape	Size	Overall Size	Frame Packed Size	Weight Kg
SFS Straight	2.5m	H 2280 x W 2438 x D 400mm	H 750 x W 270 x D 270mm	5
	3m	H 2280 x W 2922 x D 400mm	H 750 x W 270 x D 270mm	6.5
	4m	H 2280 x W 3960 x D 400mm	H 750 x W 270 x D 270mm	7.9
	5m	H 2280 x W 4960 x D 400mm	H 810 x W 360 x D 270mm	9
	6m	H 2280 x W 5960 x D 400mm	H 810 x W 390 x D 270mm	12
SFS Curved	2.5m	H 2280 x W 2480 x D 420mm	H 730 x W 270 x D 270mm	5
	3m	H 2280 x W 2980 x D 538mm	H 810 x W 270 x D 260mm	6.4
	4m	H 2280 x W 3980 x D 630mm	H 820 x W 260 x D 260mm	8.2
	5m	H 2280 x W 4980 x D 700mm	H 1050 x W 390 x D 340mm	9.9
	6m	H 2280 x W 5980 x D 700mm	H 1050 x W 390 x D 340mm	11.5
SFS Snake 2	0.9m	H 2280 x W 915 x D 900mm	H 800 x W 330 x D 160mm	6
SFS Disk	2.5m	H 2200 x W 2500 x D 400mm	H 870 x W 360 x D 370mm	9.5
SFS Meeting Pod	3m	H 2280 x W 3000 x D 2700mm	H 830 x W 370 x D 300mm	11
SFS Arch	2.3m	H 2700 x W 2300 x D 1000mm	H 1020 x W 280 x D 280mm	8.25

## Product information and warnings

- Care information for fabrics are available on request.
- Care should be taken when installing materials to prevent them from getting dirty and to ensure hardware is not damaged.