

850mm Portable LightBox



Parts

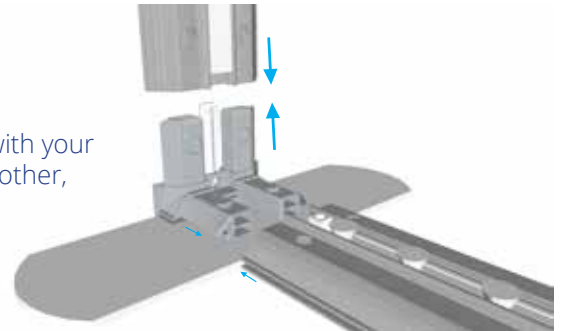


ASSEMBLY INSTRUCTIONS

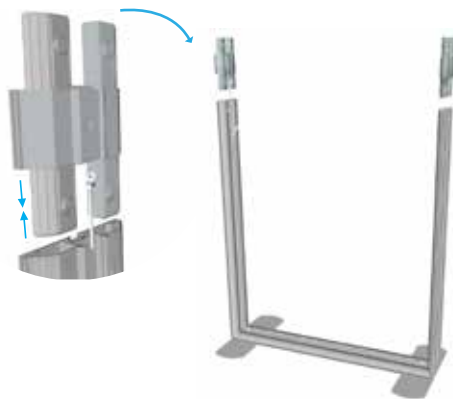
Remove all products from packaging.

1

Connect the base horizontal profile (LED Light strip) extrusion with your desired foot connector. Push together until slotted in to one another, from here you can start adding your vertical profile pieces.



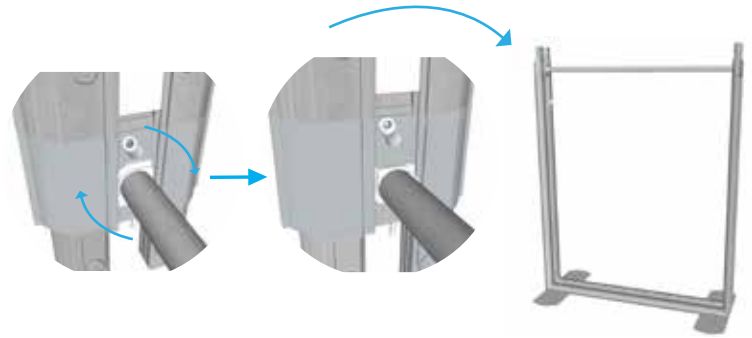
2



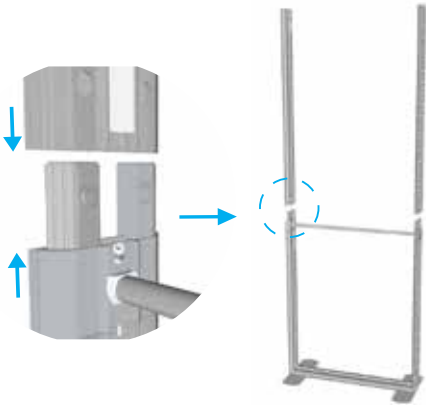
Align the vertical profile extrusions with the straight connector and push them together until securely slotted into one another.

ASSEMBLY INSTRUCTIONS

- 3** To enhance stability, add the horizontal support pole, this need to be slotted in to the frame by rotating into the grooves of the straight extrusion.



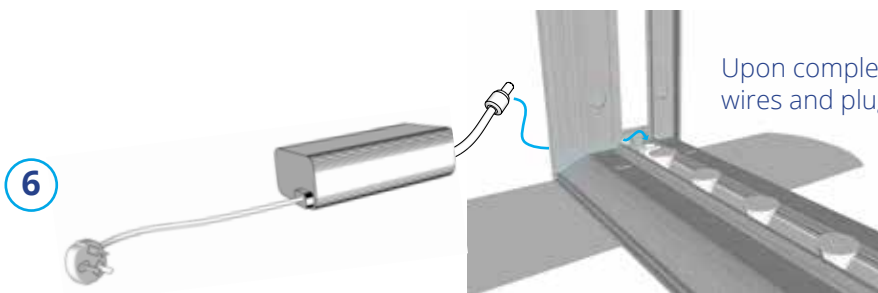
- 4** Attach the top vertical profile components to the straight connectors



- 5** Connect the top horizontal profile (LED Light strip) extrusion with the 90-degree corner components and push together until securely slotted into one another to complete your Portable Lightbox.



- 6** Upon completing your Portable Lightbox, attach the internal wires and plug in your lightbox.



- 7** Once all wires are connected and plugged in, insert your chosen fabric graphic to finish your lightbox display.

