

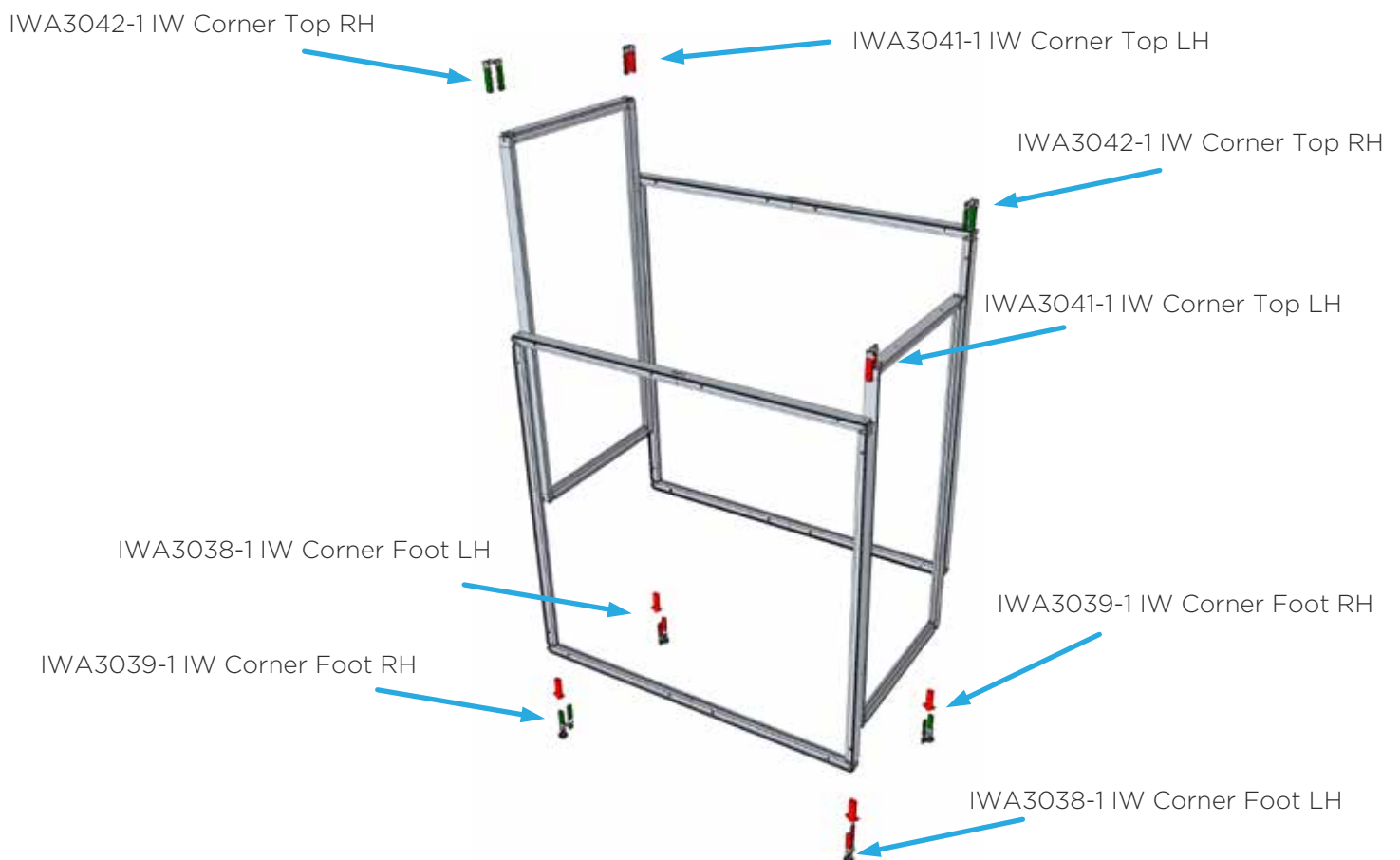
IMAGEWALL | HOW TO GUIDE HOW TO ASSEMBLE A COUNTER KIT



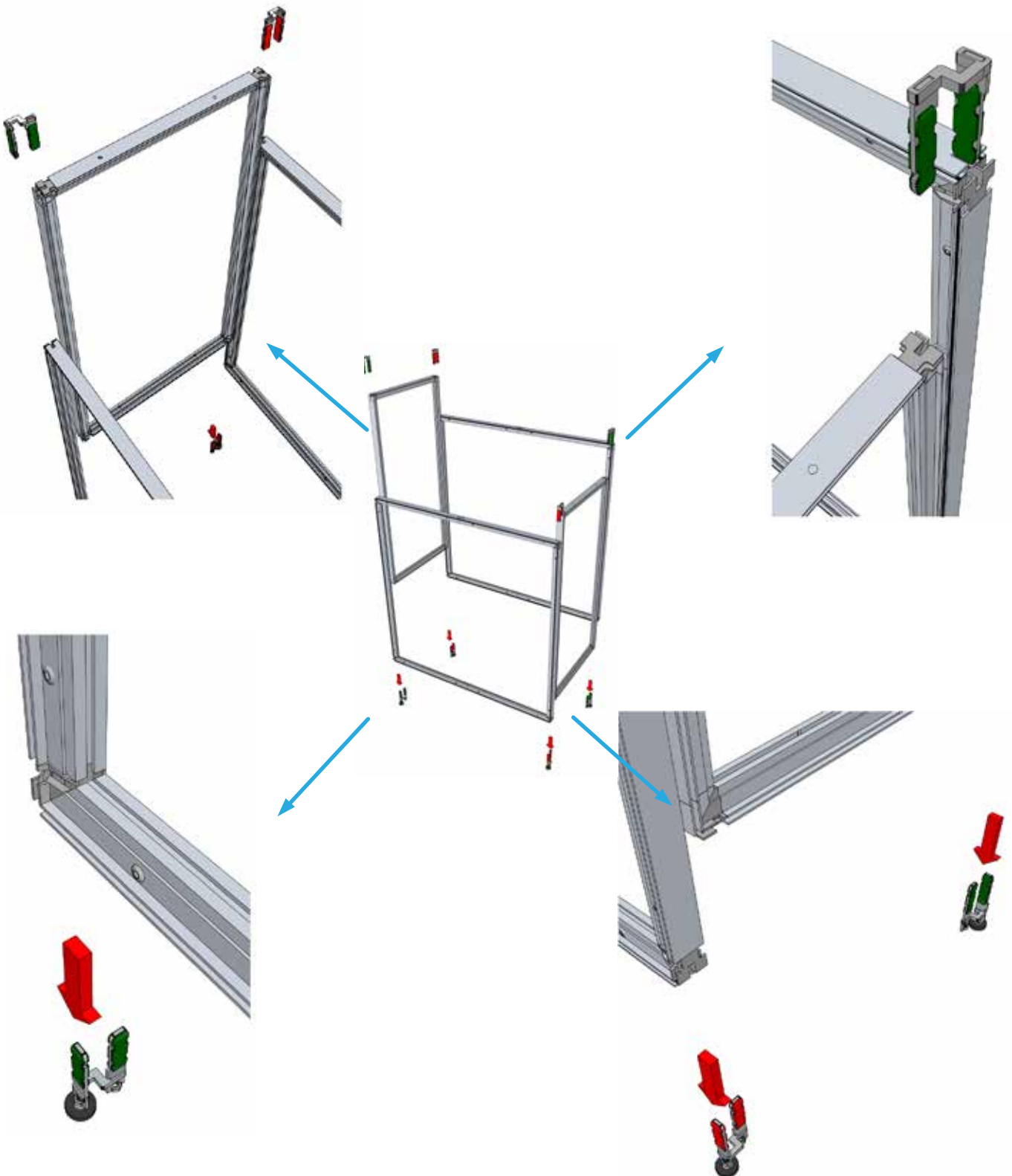
ASSEMBLY INSTRUCTIONS

Remove all products from packaging.

- 1 Unpack all components and align the frame sections. Position the corner connectors, then slide the frames onto the connectors as shown in the guide below to form the counter base structure.



- 2 Connect the top of the frames using the Corner Top Connectors. Green connectors are used for right-hand corners and red connectors for left-hand corners. Use the Corner Foot Connectors to join the frames at the bottom, again using green for right-hand corners and red for left-hand corners.



- 3 Once the frame is fully assembled, place the counter top into position and insert the fabric graphics around the frame.

